



microlife[®]



Microlife NC 150

EN → 1
PL → 6

▀ Microlife AG
Epenstrasse 139
9443 Widnau / Switzerland
www.microlife.com

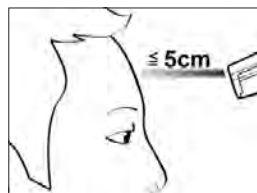
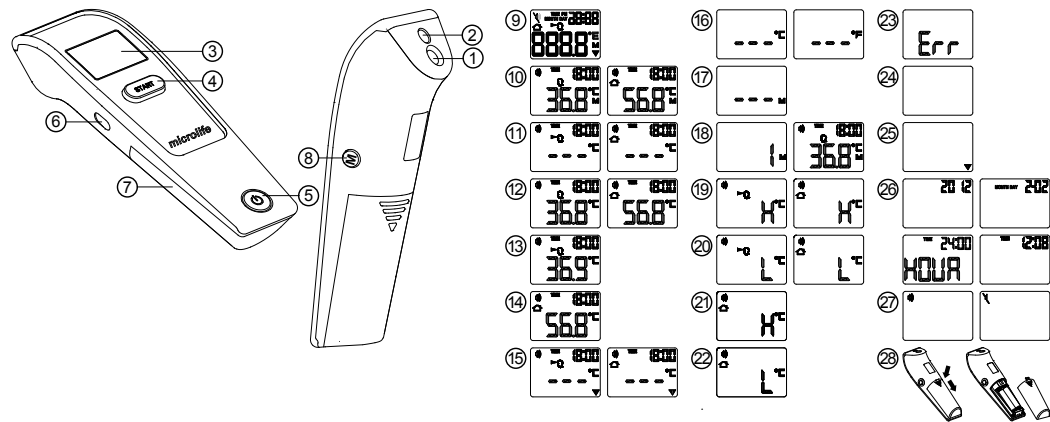


CHDE Polska S.A.
Biesiadna 7, 35-304 Rzeszów
Tel. (0-17) 229-37-89
Fax. (0-17) 230-21-14
E-mail: biuro.rzeszow@chde.pl
BDO 000046780

CE0044

IB NC 150 EN-PL 4819

microlife[®]



Name of Purchaser
Imię i nazwisko nabywcy _____

Serial Number
Numer seryjny _____

Date of Purchase
Data zakupu _____

Specialist Dealer
Przedstawiciel _____

- ① Measuring sensor
- ② Tracking light
- ③ Display
- ④ START button
- ⑤ ON/OFF button
- ⑥ Mode switch
- ⑦ Battery compartment cover
- ⑧ M-button (memory)
- ⑨ All segments displayed
- ⑩ Memory
- ⑪ Ready for measuring
- ⑫ Measurement complete
- ⑬ Body mode
- ⑭ Object mode
- ⑮ Low battery indicator
- ⑯ Changing between Celsius and Fahrenheit
- ⑰ Recall mode
- ⑱ Recall the last 30 readings
- ⑲ Measured temperature too high
- ⑳ Measured temperature too low
- ㉑ Ambient temperature too high
- ㉒ Ambient temperature too low
- ㉓ Error function display
- ㉔ Blank display
- ㉕ Flat battery
- ㉖ Date/Time
- ㉗ Beeper function setting
- ㉘ Replacing the battery



Read the instructions carefully before using this device.



Type BF applied part



Keep dry

This Microlife thermometer is a high quality product incorporating the latest technology and tested in accordance with international standards. With its unique technology, this device can provide a stable, heat-interference-free reading with each measurement. The device performs a self-test every time it is switched on to always guarantee the specified accuracy of any measurement. This Microlife thermometer is intended for the periodic measurement and monitoring of human body temperature.

This thermometer has been clinically tested and proven to be safe and accurate when used in accordance to the operating instruction manual.

Please read through these instructions carefully in order for you to understand all functions and safety information.

Table of Contents

1. The Advantages of this Thermometer

- Measures in a matter of seconds
- Multiple uses (wide range of measurement)
- Accurate and reliable
- Gentle and easy to use
- Multiple readings recall
- Safe and hygienic
- Fever alarm

2. Important Safety Instructions

3. How this Thermometer measures Temperature

4. Control Displays and Symbols

5. Setting Date, Time and Beeper Functions

6. Changing between Body and Object Mode

7. Directions for Use

8. Changing between Celsius and Fahrenheit

9. How to recall 30 readings in Memory Mode

10. Error Messages

11. Cleaning and Disinfecting

12. Battery Replacement

13. Guarantee

14. Technical Specifications

15. www.microlife.com

Guarantee Card (see Back Cover)

1. The Advantages of this Thermometer

Measures in a matter of seconds

The innovative infrared technology allows the measurement without even touching the object. This guarantees safe and sanitary measurements within seconds.

Multiple uses (wide range of measurement)

This thermometer offers a wide range of measurement from 0 - 100.0 °C / 32.0 - 212.0 °F, meaning the unit can be used to measure body temperature or it also has a feature allowing it to be used to measure surface temperature of the following examples:

- Milk surface temperature in a baby's bottle
- Surface temperature of a baby's bath
- Ambient temperature

Accurate and reliable

The unique probe assembly construction incorporates an advanced infrared sensor, ensuring that each measurement is accurate and reliable.

Gentle and easy to use

- The ergonomic design enables simple and easy use of the thermometer.
- This thermometer can even be used on a sleeping child without causing any interruption.
- This thermometer is quick, therefore child-friendly.

Multiple readings recall

Users will be able to recall the last 30 readings with a record of both time and date when entering the recall mode, enabling efficient tracking of temperature variations.

Safe and hygienic

- No direct skin contact.
- No risk of broken glass or mercury ingestion.
- Completely safe for use on children.

Fever alarm

10 short beeps and a red LCD backlight alert the patient that he/she may have a temperature equal to or higher than 37.5 °C.

2. Important Safety Instructions

- Follow instructions for use. This document provides important product operation and safety information regarding this device. Please read this document thoroughly before using the device and keep for future reference.

- This device may only be used for the purposes described in these instructions. The manufacturer cannot be held liable for damage caused by incorrect application.
- **Never immerse this device in water or other liquids. For cleaning please follow the instructions in the «Cleaning and Disinfecting» section.**
- Do not use this device if you think it is damaged or notice anything unusual.
- Never open this device.
- A basic physiological effect called vasoconstriction can occur in the early stages of fever, resulting in a cool skin effect. The recorded temperature using this thermometer can, therefore, be unusually low.
- If the measurement result is not consistent with the patient's finding or unusually low, repeat the measurement every 15 minutes or double check the result by another core body temperature measurement.
- This device comprises sensitive components and must be treated with caution. Observe the storage and operating conditions described in the «Technical Specifications» section.
- Ensure that children do not use this device unsupervised; some parts are small enough to be swallowed.
- Do not use this device close to strong electromagnetic fields such as mobile telephones or radio installations. Keep a minimum distance of 3.3 m from such devices when using this device.
- Protect it from:
 - extreme temperatures
 - impact and dropping
 - contamination and dust
 - direct sunlight
 - heat and cold
- If the device is not going to be used for a prolonged period the batteries should be removed.



WARNING: The measurement results given by this device is not a diagnosis. It is not replacing the need for the consultation of a physician, especially if not matching the patient's symptoms. Do not rely on the measurement result only, always consider other potentially occurring symptoms and the patient's feedback. Calling a doctor or an ambulance is advised if needed.

3. How this Thermometer measures Temperature

This thermometer measures infrared energy radiated from the forehead as well as objects. This energy is collected through the lens and converted to a temperature value.

4. Control Displays and Symbols

- **All segments displayed** (9): Press the ON/OFF button (5) to turn on the unit; all segments will be shown for 1 second.
- **Ready for measuring** (11): When the unit is ready for measuring, the «°C» or «°F» icon will keep flashing while the mode icon (body or object) will be displayed.
- **Measurement complete** (12): The reading will be shown on the display (3) with the «°C» or «°F» icon and the mode icon steady. The unit is ready for the next measurement as soon as the «°C» or «°F» icon is flashing again.
- **Low battery indicator** (16): When the unit is turned on, the «▼» icon will keep flashing to remind the user to replace the batteries.

5. Setting Date, Time and Beeper Functions

Setting the date and time

1. After the new batteries are fitted, the year number flashes in the display (26). You can set the year by pressing the START button (4). To confirm and then set the month, press the M-button (8).
2. Press the START button (4) to set the month. Press the M-button (8) to confirm and then set the day.
3. Follow the previously mentioned instructions to set the day, 12 or 24 hour mode, hours and minutes.
4. Once you have set the minutes and pressed the M-button (8), the date and time are set and the time is displayed.

☞ If no button is pressed for 20 seconds, the device automatically switches to ready for measuring (11).

☞ **Cancel time setup:** Press the ON/OFF button (5) during time setup. The LCD will show Date/Time icons with «--:--». After that press the ON/OFF button (5) to start the measurement. If no further action is taken within 20 seconds, the device will automatically turn off.

☞ **Change current date and time:** Press and hold the M-button (8) for approx. 3 seconds until the year number starts to flash (26). Now you can enter the new values as described above.

Setting the beeper

1. When the device is switched off, press and hold the ON/OFF button (5) for 5 seconds to set the beeper (27).
2. Press the ON/OFF button (5) again to either turn the beeper on or off. The beeper is activated when the beeper icon (27) is not crossed-out.

☞ If no button is pressed for 5 seconds, the device automatically switches to ready for measuring (11).

6. Changing between Body and Object Mode

For changing from body to object mode, slide the mode switch (6) at the side of the thermometer downwards. For switching back to body mode, slide the switch up again.

7. Directions for Use

Measuring in body mode

1. Press the ON/OFF button (5). The display (3) is activated to show all segments for 1 second.
2. When the «°C» or «°F» icon is flashing, a beep sound is heard and the thermometer is ready for measuring (11).
3. **Aim the thermometer at the center of the forehead with a distance of no more than 5 cm.** Please remove any hair, sweat or dirt from the forehead before measuring to improve the accuracy of the readings.
4. **Press the START button (4) and ensure that the activated blue tracking light is aimed at the center of the forehead.** After 3 seconds a long beep will verify the completion of measurement.
5. Read the recorded temperature from the LCD display.

Measuring in object mode

1. Follow steps 1-2 above, then aim the thermometer at the center of the object you want to measure with a distance of no more than 5 cm. Press the START button (4). After 3 seconds a long beep will verify the completion of measurement.
2. Read the recorded temperature from the LCD display.

☞ **NOTE:**

- **Patients and thermometer should stay in similar room condition for at least 30 minutes.**
- Don't take a measurement while or immediately after nursing a baby.
- Don't use the thermometer in high humidity environments.

- Patients should not drink, eat or exercise before/while taking the measurement.
- Don't move the measurement device from the measuring area before hearing the termination beep.
- 10 short beeps and a red LCD backlight alert the patient that he/she may have a temperature equal to or higher than 37.5 °C.
- Always take the temperature in the same location, since temperature readings may vary according to locations.
- Doctors recommend rectal measurement for newborn infants within the first 6 months, as all other measuring methods might lead to ambiguous results. If using a non contact thermometer on those infants, we always recommend verifying the readings with a rectal measurement.
- In the following situations it is recommended that three temperatures are taken with the highest one taken as the reading:
 1. Children under three years of age with a compromised immune system and for whom the presence or absence of fever is critical.
 2. When the user is learning how to use the thermometer for the first time until he/she has familiarized himself/herself with the device and obtains consistent readings.
 3. If the measurement is surprisingly low.
- **Readings from different measuring sites should not be compared as the normal body temperature varies by measuring site and time of day**, being highest in the evening and lowest about one hour before waking up.

Normal body temperature ranges:

- Axillar: 34.7 - 37.3 °C / 94.5 - 99.1 °F
- Oral: 35.5 - 37.5 °C / 95.9 - 99.5 °F
- Rectal: 36.6 - 38.0 °C / 97.9 - 100.4 °F
- Microlife NC 150: 35.4 - 37.4 °C / 95.7 - 99.3 °F

8. Changing between Celsius and Fahrenheit

This thermometer can display temperature readings in either Fahrenheit or Celsius. To switch the display between °C and °F, simply turn OFF the unit, **press and hold** the START button (4) for 5 seconds; after 5 seconds, the current measurement scale («°C» or «°F» icon) will flash on the display (16). Change the measurement scale between °C and °F by pressing the START button (4). When the measurement scale has been chosen, wait for 5 seconds and the unit will automatically enter the «ready for measuring» mode.

9. How to recall 30 readings in Memory Mode

This thermometer can recall the last 30 readings with a record of both time and date.

- **Recall mode** (17): Press the M-button (8) to enter recall mode when the power is off. The memory icon «M» will flash.
- **Reading 1 - the last reading** (18): Press and release the M-button (8) to recall the last reading. Number «1» and a flashing «M» are displayed.
- **Reading 30 - readings in succession**: Press and release the M-button (8) consecutively to recall the last 30 readings in succession.

Pressing and releasing the M-button (8) after the last 30 readings have been recalled will resume the above sequence from reading 1.

10. Error Messages

- **Measured temperature too high** (19): Displays «H» when measured temperature is higher than 42.2 °C / 108.0 °F in body mode or 100 °C / 212 °F in object mode.
- **Measured temperature too low** (20): Displays «L» when measured temperature is lower than 34.0 °C / 93.2 °F in body mode or 0 °C / 32 °F in object mode.
- **Ambient temperature too high** (21): Displays «H» and ☐ when ambient temperature is higher than 40.0 °C / 104.0 °F.
- **Ambient temperature too low** (22): Displays «L» and ☐ when ambient temperature is lower than 15.0 °C / 59.0 °F in body mode or lower than 5.0 °C / 41.0 °F in object mode.
- **Error function display** (23): The system has a malfunction.
- **Blank display** (24): Check if the batteries have been inserted correctly. Also check polarity (<+> and <->) of the batteries.
- **Flat battery indicator** (25): If only «▼» icon is shown on the display, the batteries should be replaced immediately.

11. Cleaning and Disinfecting

Use an alcohol swab or cotton tissue moistened with alcohol (70% Isopropyl) to clean the thermometer casing and the measuring sensor. Ensure that no liquid enters the interior of the device. Never use abrasive cleaning agents, thinners or benzene for cleaning and never immerse the device in water or other cleaning liquids. Take care not to scratch the surface of the sensor lens and the display.

12. Battery Replacement

This device is supplied with 2 new, long-life 1.5V, size AAA batteries. Batteries need replacing when this icon «▼» (25) is the only symbol shown on the display.

Remove the battery cover (28) by sliding it in the direction shown. Replace the batteries – ensure correct polarity as shown by the symbols in the compartment.



Batteries and electronic devices must be disposed of in accordance with the locally applicable regulations, not with domestic waste.

13. Guarantee

This device is covered by a **5 year guarantee** from the date of purchase. The guarantee is valid only on presentation of the guarantee card completed by the dealer (see back) confirming date of purchase or the receipt.

- The guarantee covers the device. Batteries and packaging are not included.
- Opening or altering the device invalidates the guarantee.
- The guarantee does not cover damage caused by improper handling, discharged batteries, accidents or non-compliance with the operating instructions.

Please contact Microlife-service.

14. Technical Specifications

Type: Non Contact Thermometer NC 150

Measurement range: Body mode: 34.0 - 42.2 °C / 93.2 - 108.0 °F
Object mode: 0 - 100.0 °C / 32 - 212.0 °F

Resolution: 0.1 °C / °F

Measurement accuracy: Laboratory: ±0.2 °C, 36.0 ~ 39.0 °C / ±0.4 °F, 96.8 ~ 102.2 °F

Display: Liquid Crystal Display, 4 digits plus special icons

Acoustic: The unit is turned ON and ready for the measurement: 1 short beep.

Complete the measurement: 1 long beep (1 sec.) if the reading is less than 37.5 °C / 99.5 °F, 10 short «beep» sounds, if the reading is equal to or greater than 37.5 °C / 99.5 °F.

System error or malfunction: 3 short «bi» sounds.

Memory: 30 readings recall in the memory mode with a record of both time and date.

Backlight: The display light will be GREEN for 1 second, when the unit is turned ON.
The display light will be GREEN for 5 seconds, when a measurement is completed with a reading less than 37.5 °C / 99.5 °F.

The display light will be RED for 5 seconds, when a measurement is completed with a reading equal to or higher than 37.5 °C / 99.5 °F.

Operating conditions: Body mode: 15 - 40.0 °C / 59 - 104.0 °F
Object mode: 5 - 40.0 °C / 41 - 104.0 °F

Storage conditions: -25 - +55 °C / -13 - +131 °F

Automatic Switch-off: 15 - 95 % relative maximum humidity

Approx. 1 minute after last measurement has been taken.

Battery: 2 x 1.5 V alkaline batteries; size AAA

Battery lifetime: approx. 2000 measurements

(using new batteries)

Dimensions: 141.1 x 43.3 x 36.9 mm

Weight: 90 g (with batteries), 67 g (w/o batteries)

IP Class: IP21

Reference to standards: ASTM E1965; IEC 60601-1; IEC 60601-1-2 (EMC); IEC 60601-1-11

Expected service life: 5 years or 12000 measurements

This device complies with the requirements of the Medical Device Directive 93/42/EEC.


Technical alterations reserved.


According to the Medical Product User Act a biennial technical inspection is recommended for professional users. Please observe the applicable disposal regulations.

15. www.microlife.com

Detailed user information about our thermometers and blood pressure monitors as well as services can be found at www.microlife.com.

- ① Czujnik pomiarowy
- ② Oświetlenie miejsca pomiarowego
- ③ Wyświetlacz
- ④ Przycisk START
- ⑤ Przycisk ON/OFF (wł./wyt.)
- ⑥ Przełącznik trybu pracy
- ⑦ Zatyczka pojemnika na baterię
- ⑧ Przycisk PAMIĘĆ
- ⑨ Wyświetlone wszystkie segmenty
- ⑩ Pamięć
- ⑪ Gotowy do pomiaru
- ⑫ Pomiar skończony
- ⑬ Pomiar temp. ciała
- ⑭ Pomiar temp. obiektu
- ⑮ Wskaźnik słabych baterii
- ⑯ Pomiar temperatury w °C lub °F
- ⑰ Tryb Recall - wywoływania wyników poprzednich pomiarów
- ⑱ Wywołanie 30 ostatnich wyników pomiaru
- ⑲ Zmierzona temperatura jest zbyt wysoka
- ⑳ Zmierzona temperatura jest zbyt niska
- ㉑ Temperatura otoczenia jest zbyt wysoka
- ㉒ Temperatura otoczenia jest zbyt niska
- ㉓ Pojawia się znak Błąd funkcji (Err)
- ㉔ Wyświetlacz jest ciemny
- ㉕ Wyczerpana bateria
- ㉖ Data/godzina
- ㉗ Ustawienie sygnalizacji dźwiękowej
- ㉘ Wymiana baterii

 Przed rozpoczęciem eksploatacji należy dokładnie zapoznać się z niniejszą instrukcją obsługi.

 Typ zastosowanych części - BF

 Nie dopuścić do zamoczenia

Termometr Microlife jest urządzeniem wysokiej jakości wykorzystującym najnowsze technologie i przetestowanym pod kątem zgodności z międzynarodowymi standardami. Dzięki wyjątkowej technologii termometr zapewnia zawsze precyzyjny i niezależny od zewnętrznych źródeł ciepła odczyt temperatury. Urządzenie przeprowadza samosprawdzenie za każdym razem, kiedy je włączasz, aby zagwarantować precyzję pomiaru.

Termometr Microlife przeznaczony jest do regularnych pomiarów temperatury ciała ludzkiego.

Testy wykonane w warunkach klinicznych potwierdziły bezpieczeństwo i precyzyjność termometru pod warunkiem przestrzegania zasad zawartych w niniejszej instrukcji obsługi.

Przeczytaj tę instrukcję uważnie i zapoznaj się ze wszystkimi funkcjami oraz wskazówkami dotyczącymi bezpieczeństwa.

Spis treści

1. Zalety termometru

- Pomiar w kilka sekund
- Wielofunkcyjne zastosowanie (szeroki zakres pomiarów)
- Dokładność i pewność
- Łatwość użycia
- Wywoływanie wielokrotnych odczytów
- Bezpieczeństwo i higiena
- Alarm ostrzegający o gorączce

2. Ważne wskazówki dotyczące bezpieczeństwa

3. W jaki sposób termometr mierzy temperaturę

4. Symbole kontrolne

5. Ustawienie daty, godziny i sygnalizacji dźwiękowej

6. Zmiana trybu pracy temp. ciała - temp. obiektu

7. Instrukcje użytkownika

8. Pomiar temperatury w °C lub °F

9. Jak wywołać 30 kolejnych wyników pomiarów

10. Komunikaty o błędach

11. Czyszczenie i dezynfekcja

12. Wymiana baterii

13. Gwarancja

14. Specyfikacje techniczne

15. www.microlife.pl

Karta gwarancyjna (patrz tył okładki)

1. Zalety termometru

Pomiar w kilka sekund

Innowacyjna technologia pomiarów przy użyciu promieni IR pozwala na pomiary bez dotykania mierzonego obiektu. To gwarantuje bezpieczny i higieniczny pomiar w kilka sekund.

Wielofunkcyjne zastosowanie (szeroki zakres pomiarów)

Termometr oferuje szeroki zakres pomiarowy od 0 - 100,0 °C / 32,0 - 212,0 °F; oznacza to, że można go używać do pomiaru temperatury na czole oraz do pomiarów temperatury ciała, a także do sprawdzania temperatury powierzchni następujących substancji:

- Mleka w butelce dla dziecka
- Temperatury wody do kąpielii dla dziecka
- Temperatury otoczenia

Dokładność i pewność

Dzięki niepowtarzalnej budowie podzespołów oraz ulepszonemu czujnikowi na podczerwień wyrób ten zapewnia bardzo dokładny oraz wiarygodny pomiar temperatury.

Łatwość użycia

- Specjalny ergonomiczny kształt zapewnia proste i łatwe użytkowanie.
- Termometr może być użytkowany nawet podczas snu dziecka, nie powodując jego przebudzenia.
- Czas pomiaru temperatury jest krótki, dzięki czemu urządzenie jest szczególnie przyjazne dla dzieci.

Wywoływanie wielokrotnych odczytów

Użytkownik może wywołać 30 wyników ostatnio przeprowadzonych pomiarów przy pomocy odpowiedniej funkcji (Recall Mode), umożliwiając efektywne śledzenie zmian temperatury.

Bezpieczeństwo i higiena

- Brak bezpośredniego kontaktu ze skórą.
- Nie ma ryzyka słuczenia szkła lub zatrucia rtęcią.
- Bezpieczny dla dzieci.

Alarm ostrzegający o gorączce

10 krótkich sygnałów dźwiękowych oraz czerwone podświetlenie na wyświetlaczu ciekłokrystalicznym ostrzega pacjenta o temperaturze równej lub wyższej niż 37,5 °C.

2. Ważne wskazówki dotyczące bezpieczeństwa

- Postępuj zgodnie z instrukcją użytkowania. Ten dokument zawiera ważne informacje o działaniu produktu i informacje dotyczące bezpiecznego korzystania z tego urządzenia. Prze-

czytaj dokładnie ten dokument przed użyciem urządzenia i zachowaj go na przyszłość.

- Urządzenie może być wykorzystywane do celów określonych w niniejszej instrukcji. Producent nie ponosi odpowiedzialności za szkody powstałe w wyniku niewłaściwej eksploatacji.
- **Nigdy nie zanurzaj urządzenie w wodzie lub innych cieczach. Przy czyszczeniu zastosuj się do wskazówek zamieszczonych w części «Czyszczenie i dezynfekcja».**
- Prosimy nie używać urządzenia, jeżeli zauważą Państwo niepokojące objawy, które mogą wskazywać na jego uszkodzenie.
- Nie należy otwierać urządzenia.
- Ponieważ we wczesnym etapie gorączki może wystąpić zwężenie naczyń krwionośnych, powodując ochłodzenie skóry, wynik temperatury na czole może być zaniżony.
- Jeżeli wynik pomiaru nie jest zgodny ze spodziewanym wynikiem pomiaru pacjenta lub jest nietypowo niski, powtarzaj pomiar co 15 minut lub porównaj wynik z pomiarem temperatury wewnętrznej ciała przeprowadzonym za pomocą innego termometru.
- Urządzenie zbudowane jest z delikatnych podzespołów i dlatego musi być używane ostrożnie. Prosimy o przestrzeganie wskazówek dotyczących przechowywania i użytkowania zamieszczonych w części «Specyfikacja techniczna».
- Dopilnuj, aby dzieci nie używały urządzenia bez nadzoru osób dorosłych; jego niektóre, niewielkie części mogą zostać łatwo połknięte.
- Nie używaj urządzenia w pobliżu występowania silnego pola elektromagnetycznego powodowanego przez telefony komórkowe lub instalacje radiowe. Podczas użytkowania urządzenia utrzymuj dystans min. 3,3 m od takich urządzeń.
- Chronić urządzenie przed:
 - ekstremalnymi temperaturami
 - wstrząsami i upadkami
 - zanieczyszczeniem i kurzem
 - światłem słonecznym
 - upałem i zimnem
- Jeżeli urządzenie nie będzie używane przez dłuższy czas należy wyjąć baterie.



UWAGA: Podany przez to urządzenie wynik pomiaru nie jest diagnozą. Nie zastępuje to konieczności konsultacji lekarza, zwłaszcza jeśli wynik nie odpowiada objawom pacjenta. Nie należy polegać tylko na wyniku pomiaru, należy zawsze rozważyć inne potencjalnie pojawiające się objawy i opinie pacjenta. W razie potrzeby zaleca się wezwanie lekarza lub pogotowia.

3. W jaki sposób termometr mierzy temperaturę

Termometr mierzy ciepłą energię podczerwieni wydzielaną przez skórę na czole oraz przez inne obiekty. Energia ta jest następnie pochłaniana przez soczewkę i wyświetlana w postaci wartości temperatury.

4. Symbole kontrolne

- **Wyświetlone wszystkie segmenty** (9): Wciśnij przycisk ON/OFF (5), aby uruchomić przyrząd. Wszystkie segmenty wyświetlą się na 1 sekundę.
- **Gotów** (1): Przyrząd jest gotów do pracy gdy symbol «°C» lub «°F» będzie migać oraz jednocześnie będzie wyświetlona ikona rodzaju pomiaru (pomiar temp. ciała lub obiekt).
- **Pomiar skończony** (12): Odczyt pokaże się na wyświetlaczu (3); wraz z migającymi symbolami «°C» lub «°F» oraz ikoną rodzaju pomiaru. Urządzenie jest gotowe do następnego pomiaru gdy ikona «°C» lub «°F» będzie migać.
- **Baterie za słabe** (15): Po włączeniu przyrządu symbol «▼» zacznie migać, przypominając, że trzeba wymienić baterię.

5. Ustawienie daty, godziny i sygnalizacji dźwiękowej

Ustawienie daty i czasu

1. Po zainstalowaniu nowych baterii, liczba lat zacznie migać na wyświetlaczu termometru (26). Można ustawić rok, naciskając przycisk START (4). W celu potwierdzenia, a następnie ustawienia miesiąca, naciśnij przycisk PAMIĘĆ (8).
2. Naciśnij przycisk Start (4), aby ustawić miesiąc. Naciśnij przycisk PAMIĘĆ (8), aby potwierdzić, a następnie ustaw dzień.
3. Wykonaj powyższe instrukcje, aby ustawić dzień, tryb (12 lub 24) godzin i minut.
4. Po ustawieniu minut i wciśnięciu przycisku PAMIĘĆ (8), data i godzina zostaną ustawione i wyświetli się czas.

☞ Jeśli żaden przycisk nie zostanie naciśnięty w ciągu 20 sekund, urządzenie automatycznie przełączy się do pomiaru temperatur (11).

☞ **Anulowanie ustawienia czasu:** Naciśnij przycisk ON/OFF (5) podczas ustawienia czasu. Na ekranie LCD pojawi się data / czas «--:--». Następnie naciśnij przycisk ON/OFF (5), aby rozpocząć pomiar. Jeśli nie zostaną podjęte dalsze działania w ciągu 20 sekund, urządzenie automatycznie wyłączy się.

☞ **Zmiana bieżącej daty i czasu:** Naciśnij i przytrzymaj przycisk PAMIĘĆ (8) przez około 3 sekundy, dopóki liczba lat nie zacznie migać na wyświetlaczu (26). Następnie można wprowadzić nowe wartości, jak opisano powyżej.

Ustawianie sygnału dźwiękowego

1. Gdy urządzenie jest wyłączone, naciśnij i przytrzymaj przycisk ON/OFF (5) na 5 sekund aby ustawić sygnalizację dźwiękową (27).
2. Naciśnij przycisk ON / OFF (5) ponownie, aby włączyć lub wyłączyć sygnał dźwiękowy. Sygnalizator jest włączony, gdy ikona sygnalizacji dźwiękowej (27) nie jest przekreślona.

☞ Jeśli żaden przycisk nie zostanie naciśnięty w ciągu 5 sekund, urządzenie automatycznie przełączy się do pomiaru temperatur (11).

6. Zmiana trybu pracy temp. ciała - temp. obiektu

Aby zmienić tryb pracy na pomiar temp. obiektu przesunąć przełącznik trybu pracy (6) umieszczony z boku termometru w dół. Aby zmienić tryb pracy na pomiar temp. ciała przesunąć przełącznik w górę.

7. Instrukcje użytkownika

Pomiar temperatury ciała

1. Wciśnij przycisk ON/OFF (5). Wyświetlacz (3) uaktywni się i pokaże wszystkie elementy w ciągu 1 sekundy.
2. Kiedy zaczną migać symbole «°C» lub «°F» i zabrzmi sygnał dźwiękowy, termometr jest gotów do wykonania pomiaru (11).
3. **Wyceluj termometr w środek czoła w odległości nie większej niż 5 cm.** Aby poprawić dokładność pomiaru, usuń z czoła włosy, pot i brud.
4. **Naciśnij przycisk START (4) i upewnij się, że niebieski wskaźnik świetlny jest wycelowany w środek czoła.** Po 3 sekundach długi sygnał dźwiękowy potwierdzi dokonanie pomiaru.
5. Odczytaj z wyświetlacza cieklokryształicznego zapisaną wartość temperatury.

Pomiar temperatury obiektu

1. Postępuj wg powyższej instrukcji, punktów 1-2. Wyceluj termometr na środek mierzonego obiektu utrzymując odległość nie większą niż 5 cm. Naciśnij przycisk rozpoczęcia pomiaru START (4). Po 3 sekundach długi sygnał dźwiękowy potwierdzi dokonanie pomiaru.
2. Odczytaj z wyświetlacza cieklokryształicznego zapisaną wartość temperatury.

☞ UWAGA:

- **Pacjent razem z termometrem powinien znajdować się w pomieszczeniu zamkniętym, w stałej temperaturze otoczenia przez co najmniej 30 minut.**
- Nie należy mierzyć temperatury u dziecka podczas lub zaraz po zakończeniu karmienia.
- Nie używaj termometru w środowisku o dużej wilgotności.
- Przed pomiarem temperatury lub w jego trakcie pacjentowi nie wolno pić, jeść oraz wykonywać gwałtownych ruchów.

- Nie zabieraj przyrządu z miejsca pomiaru, dopóki nie pojawi się końcowy sygnał dźwiękowy.
- 10 krótkich sygnałów dźwiękowych oraz czerwone podświetlenie na wyświetlaczu ciekłokrystalicznym ostrzega pacjenta o temperaturze równej lub wyższej niż 37,5 °C.
- Należy zawsze dokonywać pomiaru temperatury w tym samym miejscu. Różne obszary ciała mogą dawać odmienne wyniki.
- U noworodków oraz dzieci do 6-go miesiąca życia lekarze zalecają odbytniczą metodę pomiaru. Pozostałe metody pomiaru mogą dawać niejednoznaczne wyniki. Jeżeli używasz termometru bezkontaktowego u ww dzieci zawsze weryfikuj wyniki z odczytami uzyskanymi w sposób odbytniczy.
- W następujących sytuacjach zaleca się trzykrotne wykonanie temperatury, a jako wielkość reprezentatywną przyjęcie wartości najwyższej:
 1. U dzieci do trzech lat z zaburzeniami systemu odporności organizmu, dla których występowanie gorączki lub jej brak jest wskaźnikiem krytycznym.
 2. Kiedy uczysz się posługiwania termometrem, zanim przyswoisz sobie jego funkcje i nauczysz się otrzymywać właściwe pomiary.
 3. Pomiar jest wyraźnie zanizony.
- **Wyniki pomiarów uzyskane z różnych miejsc pomiarowych oraz z różnych miejsc nie powinny być porównywane jako normalna temperatura ciała**, temperatura jest najwyższa wieczorem i najniższa około godziny przed przebudzeniem. Zakresy odczytów temperatury uznawane za normalne:
 - Pomiar pod pachą: 34,7 - 37,3 °C / 94,5 - 99,1 °F
 - Pomiar w ustach: 35,5 - 37,5 °C / 95,9 - 99,5 °F
 - Pomiar w odbycie: 36,6 - 38,0 °C / 97,9 - 100,4 °F
 - MicroIfe NC 150: 35,4 - 37,4 °C / 95,7 - 99,3 °F
- **Tryb Recall - wywoływania wyników poprzednich pomiarów** (17): Naciśnij przycisk PAMIĘĆ (8), aby przejść do trybu Recall, podczas gdy termometr jest wyłączony. Symbol pamięci «M» będzie migać.
- **Odczyt 1 - wynik ostatniego pomiaru** (18): Naciśnij przycisk PAMIĘĆ (8), aby wywołać wynik ostatniego pomiaru. Odczyt 1 - wyświetli się symbol pamięci «M».
- **Odczyt 30 - odczyty wyświetlane kolejno:** Aby uzyskać kolejne odczyty naciskaj i zwalnij przycisk PAMIĘĆ (8), aby uzyskać aż do 30 kolejnych wyników pomiarów.

Po uzyskaniu 30 kolejnych pomiarów wielokrotne naciśnięcie i zwalnianie przycisku PAMIĘĆ (8) spowoduje powrót do pierwszego odczytu.

10. Komunikaty o błędach

- **Zmierzona temperatura (np. cieczy) jest zbyt wysoka** (19): Pojawia się «H», kiedy zmierzona temperatura jest wyższa niż 42,2 °C / 108,0 °F w trybie pomiaru ciała 100 °C / 212 °F w trybie pomiaru obiektu.
- **Zmierzona temperatura (np. cieczy) jest zbyt niska** (20): Pojawia się «L», kiedy zmierzona temperatura jest niższa niż 34,0 °C / 93,2 °F w trybie pomiaru ciała 0 °C / 32 °F w trybie pomiaru obiektu.
- **Temperatura otoczenia jest zbyt wysoka** (21): Pojawia się «H» razem z ⇐, kiedy temperatura otoczenia jest wyższa niż 40,0 °C / 104,0 °F.
- **Temperatura otoczenia jest zbyt niska** (22): Pojawia się «L» wraz z ⇐, kiedy temperatura otoczenia jest niższa niż 15,0 °C / 59,0 °F w trybie pomiaru ciała niższa niż 5,0 °C / 41,0 °F w trybie pomiaru obiektu.
- **Pojawia się znak Err - błąd funkcji** (23): System źle funkcjonuje.
- **Wyświetlacz jest ciemny** (24): Sprawdź, czy baterie są właściwie włożone. Sprawdź również biegunowość (<+> i <->) baterii.
- **Wskaźnik słabych baterii** (25): Jeżeli ikona «▼» pojawi się na wyświetlaczu baterie powinny być niezwłocznie wymienione.

11. Czyszczenie i dezynfekcja

Do czyszczenia obudowy termometru oraz czujnika pomiarowego używaj wacika lub tamponu zwilżonego alkoholem (70% izopropyl). Dopilnuj, żeby płyn nie przedostał się do środka termometru. Nigdy nie używaj materiałów ściernych, środków chemicznych lub rozpuszczalników oraz nigdy nie zanurzaj go w wodzie lub innym płynie czyszczącym. Uważaj, aby nie zarysować powierzchni czujnika oraz wyświetlacza.

8. Pomiar temperatury w °C lub °F

Termometr może wskazywać temperaturę w skali Celsjusza lub Fahrenheita. Aby przełączyć stopnie °C na °F, po prostu wyłącz termometr, **wciśnij i przytrzymaj** przycisk START (4) przez 5 sekund; Po 5 sekundach na wyświetlaczu (16) pojawi się aktualna skala (symbol «°C» lub «°F»). Przełącz skalę pomiaru z °C na °F przez ponowne naciśnięcie przycisku START (4). Po wyborze potrzebnej skali odczekaj kolejnych 5 sekund, a urządzenie automatycznie włączy wybraną skalę do funkcji pomiarowych.

9. Jak wywołać 30 kolejnych wyników pomiarów

Termometr posiada funkcję pamięci, która umożliwia wyświetlenie 30 ostatnich pomiarów temperatury wraz z datą i godziną.

12. Wymiana baterii

Urządzenie jest zasilane 2 bateriami 1,5V typu AAA o przedłużonej żywotności. Baterie powinny być wymienione kiedy symbol «▼» ⑳ pojawi się na wyświetlaczu.

Zdejmij pokrywę baterii ㉑ zgodnie z instrukcją.

Wymień baterie – upewnij się, że bieguny baterii odpowiadają symbolom w pojemniku.



Zużyte baterie oraz urządzenia elektryczne muszą być poddane utylizacji zgodnie z obowiązującymi przepisami.

■ Nie należy wyrzucać ich wraz z odpadami domowymi.

13. Gwarancja

Urządzenie jest objęte **5-letnią gwarancją**, licząc od daty zakupu. Gwarancja jest ważna tylko z wypełnioną przez sprzedawcę kartą gwarancyjną (na odwrocie strony) potwierdzającą datę zakupu i paragonem.

- Gwarancja obejmuje wyłącznie przyrząd; nie obejmuje baterii i opakowania.
- Otwarcie lub dokonanie modyfikacji urządzenia unieważnia gwarancję.
- Gwarancja nie obejmuje uszkodzeń powstałych na skutek nieprawidłowego użycia, nieprzestrzegania instrukcji obsługi, uszkodzeń przypadkowych, a także wyczerpanych baterii.

W razie wątpliwości skontaktuj się z serwisem Microlife.

14. Specyfikacja techniczna

Typ: Elektroniczny termometr bezkontaktowy NC 150
Zakres pomiaru: Pomiar temp. ciała: 34,0 - 42,2 °C / 93,2 - 108,0 °F
Pomiar temp. obiektu: 0 - 100,0 °C / 32 - 212,0 °F

Rozdzielczość: 0,1 °C / °F

Dokładność pomiaru: W warunkach laboratoryjnych:
±0,2 °C, 36,0 ~ 39,0 °C / ±0,4 °F, 96,8 ~ 102,2 °F

Wyświetlacz: Liquid Crystal Display (ciekłokrystaliczny), 4 cyfry plus ikony specjalne

Akustyka: Przyrząd włączony i gotowy do wykonywania pomiarów: 1 krótki sygnał.
Zakończenie pomiaru: 1 długi sygnał dźwiękowy (1 sek.), jeśli odczyt jest niższy niż 37,5 °C / 99,5 °F, 10 krótkich sygnałów dźwiękowych, jeśli odczyt jest równy lub wyższy niż 37,5 °C / 99,5 °F.
Błąd systemowy lub awaria: 3 krótkie sygnały dźwiękowe.

Pamięć: 30 ostatnich pomiarów temperatury wraz z datą i godziną.

Podświetlenie: Po włączeniu przyrządu na 1 sekundę uaktywnia się ZIELONE podświetlenie.

Po zakończeniu pomiaru wynikiem niższym niż 37,5 °C / 99,5 °F na 5 sekund uaktywnia się ZIELONE podświetlenie.

Po zakończeniu pomiaru wynikiem równym lub wyższym niż 37,5 °C / 99,5 °F na 5 sekund uaktywnia się CZERWONE podświetlenie.

Warunki pracy: Pomiar temp. ciała: 15 - 40,0 °C / 59 - 104,0 °F
Pomiar temp. obiektu: 5 - 40,0 °C / 41 - 104,0 °F

Warunki przechowywania: -25 - +55 °C / -13 - +131 °F

Automatyczne wyłączenie się: Maksymalna wilgotność względna 15 - 95 %
Po ok. 1 minucie od wykonania ostatniego pomiaru.

Bateria: 2 x 1,5 V baterie alkaliczne; rozmiar AAA

Żywotność baterii: Około 2000 pomiarów (używając nowych baterii)

Wymiary: 141,1 x 43,3 x 36,9 mm

Waga: 90 g (z bateriami), 67 g (bez baterii)

Klasa IP: IP21

Normy: ASTM E1965; IEC 60601-1;
IEC 60601-1-2 (EMC); IEC 60601-1-11

Przewidywana

żywołność urządzenia: 5 lat lub 12000 pomiarów

Urządzenie spełnia wymagania zawarte w Dyrektywie Wyrobów Medycznych 93/42/EEC.

Prawo do zmian technicznych zastrzeżone.

Zgodnie z ustawą o zastosowaniu wyrobów medycznych zalecany jest do użycia profesjonalnego przy zachowaniu dwuletniego okresu przeglądu technicznego. Prosimy stosować się do obowiązujących przepisów utylizacji.

15. www.microlife.pl

Szczegółowe informacje na temat elektronicznych termometrów, ciśnieniomierzy oraz serwisu możecie Państwo znaleźć na naszej stronie internetowej; www.microlife.pl lub u generalnego dystrybutora w kraju.

